

# SynJet<sup>®</sup> Universal 140 DLM Cooler with Heat Sink for Philips Fortimo LED DLM

## Features/Benefits

- Perfect for 140mm diameter installation applications
- Less than 90mm in total height with Fortimo attached
- Enables 2000 lumens in small form factor
- Silent Operation
- 100K Hours Lifetime
- Energy Efficient



## Overview

SynJet<sup>®</sup> Fanless Air Cooling technology provides the most reliable active cooling solution available today. The SSSL5-CM012-001 is a SynJet<sup>®</sup> cooling module developed by Nuventix, Inc. for cooling a Philips Fortimo LED down light module.

## Specifications

Parameter	$\Theta_{s-a}$ <sup>1,2,3</sup>	SPL (dBA) <sup>4</sup>	TDP <sup>5</sup> (W)	Power W (12V) <sup>6</sup>
SynJet Universal DLM Cooler, Standard	0.75	22	40	1.2
SynJet Universal DLM Cooler, High Performance	0.63	30	48	1.8
SynJet Universal DLM Cooler, Silent	0.94	19	32	1.0
SynJet Universal DLM Heat Sink, Passively	1.75	NA	17	NA

Parameter	Min	Typ	Max	Units	Conditions
Voltage	10.8		13.2	VDC	150mV max ripple p-p;
Power Lead					Power (Red wire) Ground (Black wire)
Operating Temperature	0		50	°C	
Storage Temperature	-40		85	°C	
Storage Altitude			15K	m	Above Sea Level
Relative Humidity (operating)	5		95	%	Non-condensing
Weight			600	gr	Without Philips Fortimo LED DLM; 475-HS, 125-SynJet
Agency Certifications					CE, UL , RoHS
Reliability <sup>7</sup>			100K	hrs	L10 @ 50°C

<sup>1</sup> In fully open air or well vented fixtures from 25C to 50C in full on condition. Thermal data is given as a reference only. Actual performance may vary by application.

<sup>2</sup> Thermal resistance is measured from the bottom middle of the heat sink, with a heat source at least 15cm<sup>2</sup>, to ambient air measured at the inlet to the SynJet.

<sup>3</sup> SynJet Cooler is suitable for enclosed fixtures but thermal performance will vary depending on the enclosure

<sup>4</sup> Per ISO 7779

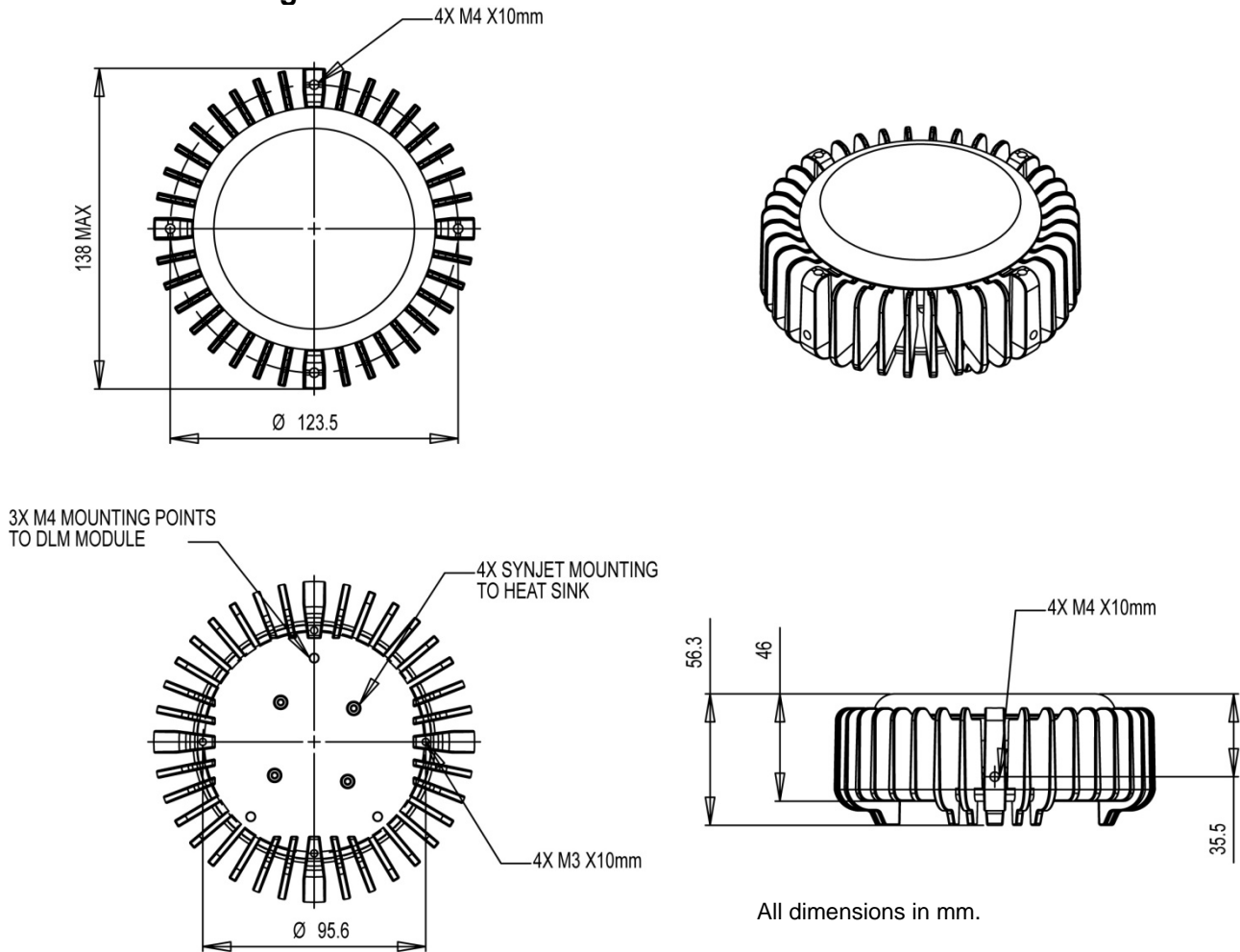
<sup>5</sup> Total Design Power based on a 40°C delta in temperature

<sup>6</sup> See Nuventix Design Guide for detailed power requirements

<sup>7</sup> L10 is the life for which 90% of a group of modules will meet or exceed the specification

# PRODUCT

## Mechanical drawing



## Part Numbers

Philips Fortimo LED DLM Universal Cooler	Document revision: 1.6
SSSLS-CM012-007	SynJet Universal DLM Cooler, High Performance, 240mm wires
SSSLS-CM012-006	SynJet Universal DLM Cooler, Standard, 240mm wires
SSSLS-CM012-004	SynJet Universal DLM Cooler, Silent, 240mm wires
SSSLS-CM012-010	SynJet Universal DLM Cooler, High Performance, 600mm wires
SSSLS-CM012-008	SynJet Universal DLM Cooler, Standard, 600mm wires
SSSLS-CM012-009	SynJet Universal DLM Cooler, Silent, 600mm wires
HSSLS-CALBL-003	SynJet Universal 140, Heatsink, Rectangular (Lexel) LED Downlighter Module
HSSLS-CALBL-002	SynJet Universal 140, Heatsink, Square Fortimo LED Downlighter Module

Nuventix reserves the right to make changes to the products or information contained herein without notice. No liability is assumed as a result of their use or applications. For additional information, please contact Nuventix directly.