

SynJet[®] Low Profile DLM Cooler with HS for Philips Fortimo/Lexel LED DLM

Features/Benefits

- *Extremely Low Profile*
- *Small Size Compared to Natural Convection*
- *Enables 2000 lumens in low profile*
- *Silent Operation*
- *Lightweight*
- *100K Hours Lifetime*



Overview

SynJet[®] Fanless Air Cooling technology provides the most reliable active cooling solution available today. The SSSLS-CM012-001 is a SynJet[®] cooling module developed by Nuventix, Inc. for cooling a Philips Fortimo or Lexel LED down light module.

Specifications

Parameter	Min	Typ	Max	Units	Conditions
Θ_{s-a} ¹²³		0.75		°C/W	In fully open air or well vented fixtures from 25C to 50C
Total Design Power ⁴		40		W	At max operating temperature
Sound Pressure Level ⁵		25		dBA	At 1 meter
Voltage	10.8		13.2	VDC	150mV max ripple p-p
Power ⁶			1.1	W	
Power Lead					Power (Red wire) Ground (Black wire) Wire length 240mm with 10 mm stripped and tinned
Operating Temperature	0		50	°C	
Storage Temperature	-40		85	°C	
Storage Altitude			15K	m	Above Sea Level
Relative Humidity (operating)	5		95	%	Non-condensing
Weight			800	gr	With heat sink
Agency Certifications					CE, UL, RoHS
Reliability ⁷			100K	hrs	L10 @ 50°C

¹ Thermal data is given as a reference only. Actual performance may vary by application.

² Thermal resistance is measured from the bottom middle of the heat sink, with a heat source at least 15cm², to ambient air measured at the inlet to the SynJet.

³ SynJet Cooler is suitable for enclosed fixtures but thermal performance will vary depending on the enclosure

⁴ Total Design Power based on a 40°C delta in temperature

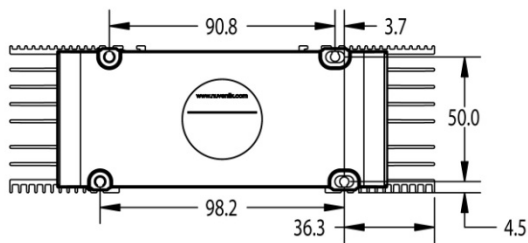
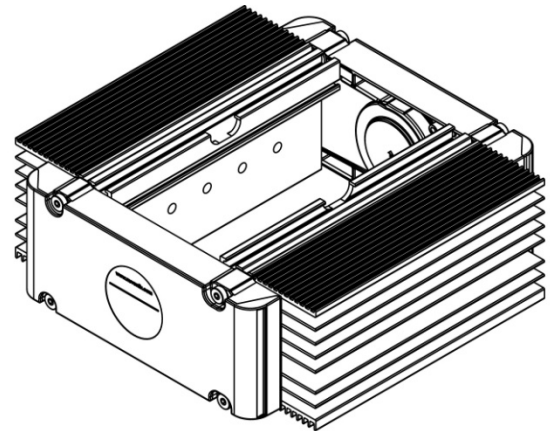
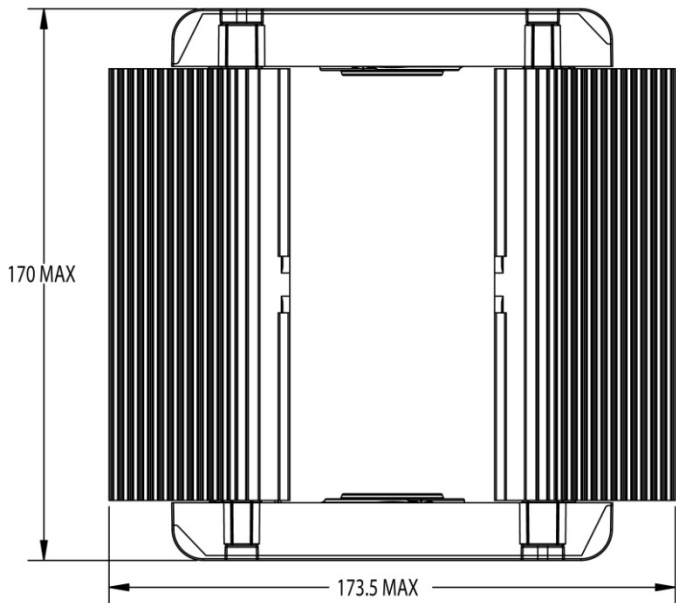
⁵ Per ISO 7779

⁶ See Nuventix Design Guide for detailed power requirements

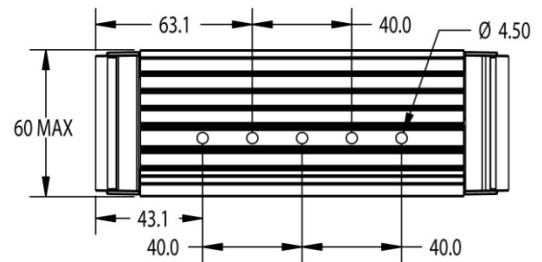
⁷ L10 is the life for which 90% of a group of modules will meet or exceed the specification

PRODUCT

Mechanical drawing



All dimensions in mm.



Part Numbers

Philips Fortimo/Lexel LED DLM	Document revision: 1.7
SSSLS-CM012-001	SynJet Low Profile, Downlighter Module,
HSSLS-CALBL-001	SynJet Low Profile Heatsink, Downlighter Module

Nuventix reserves the right to make changes to the products or information contained herein without notice. No liability is assumed as a result of their use or applications. For additional information, please contact Nuventix directly.